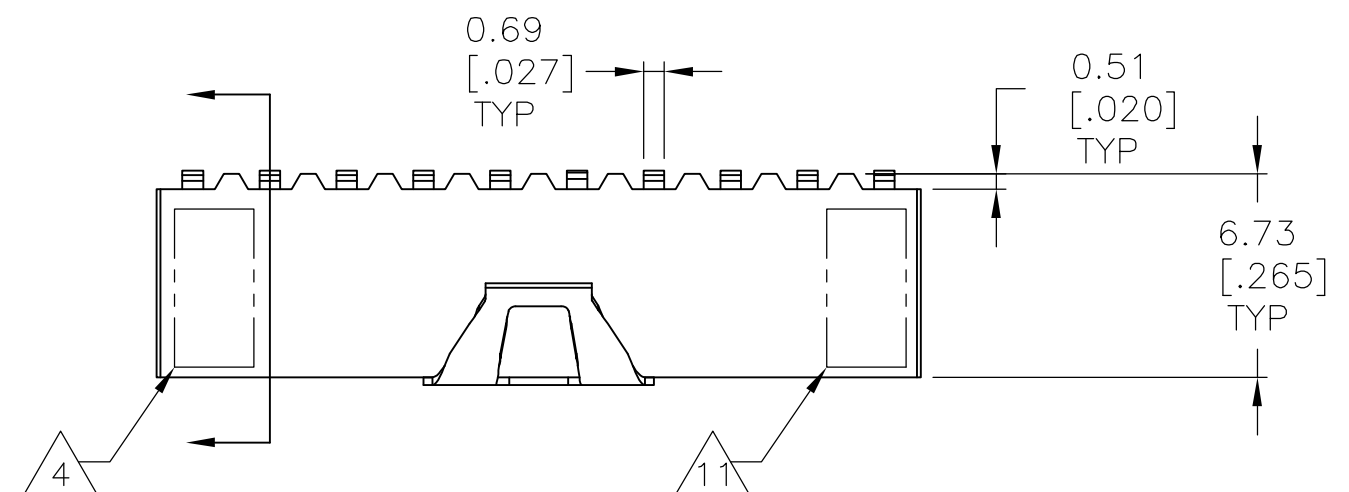


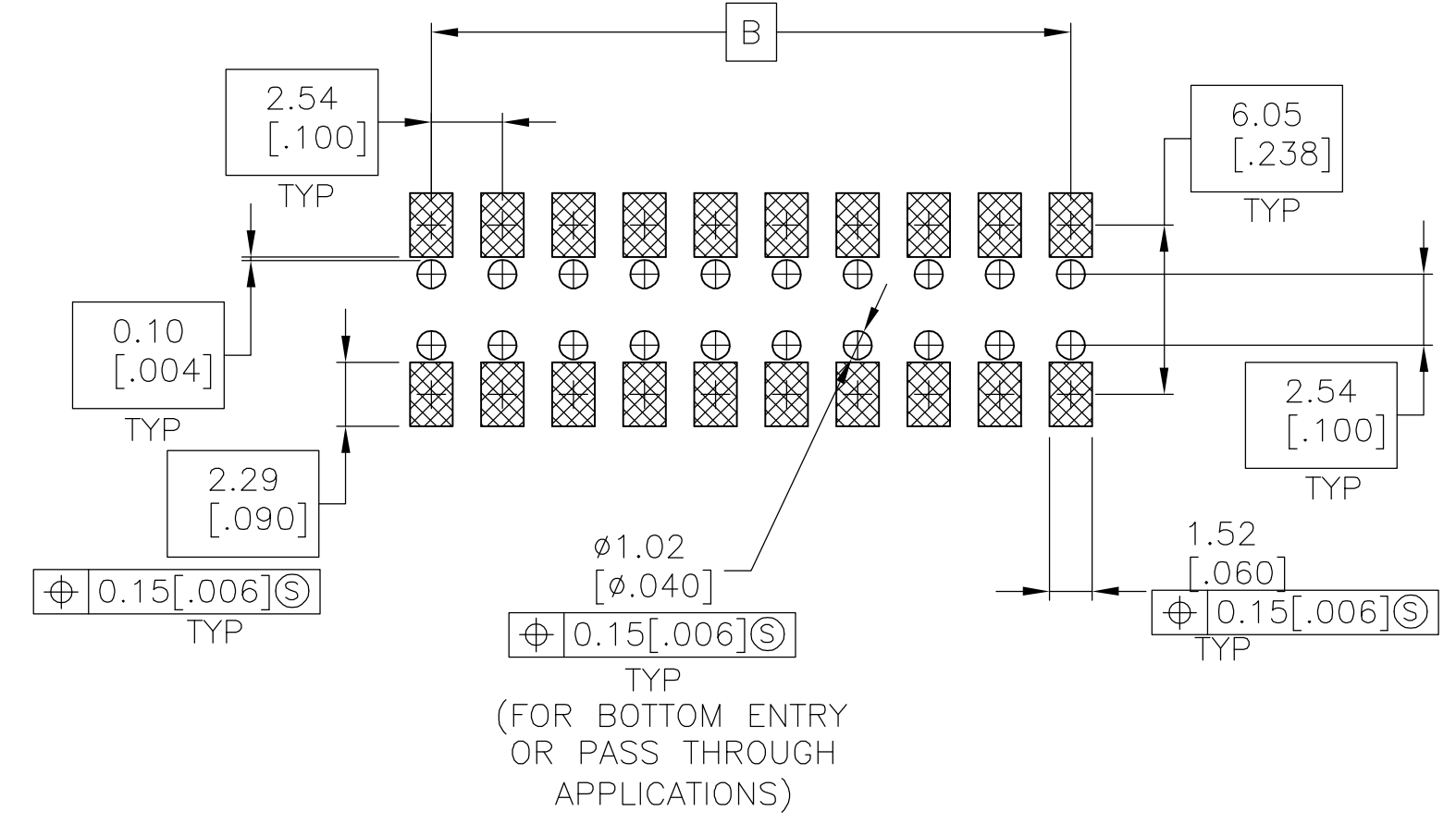
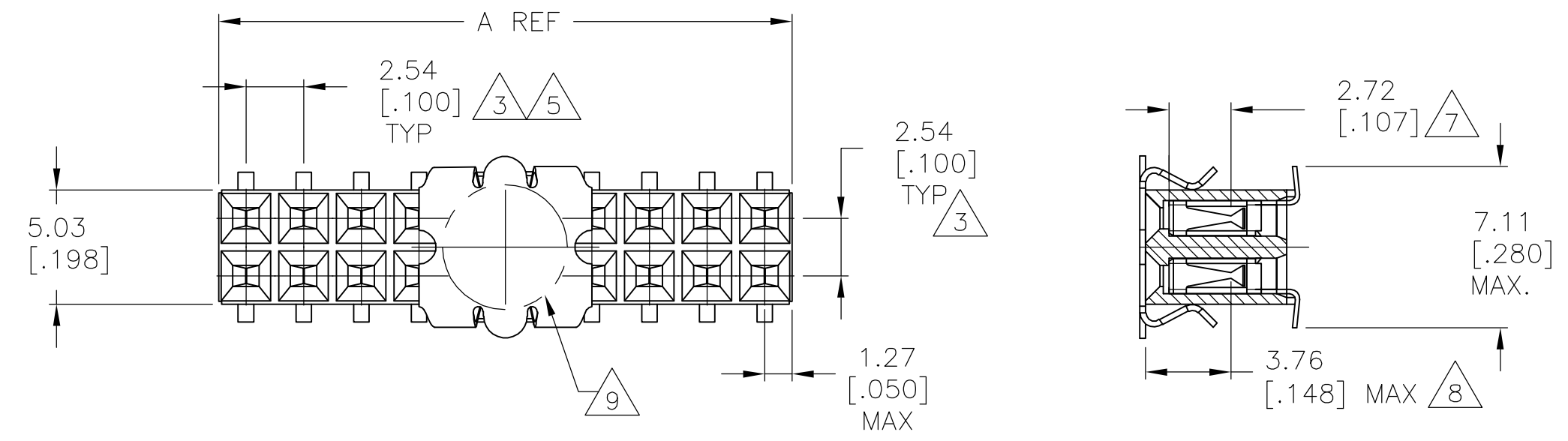
THIS DRAWING IS UNPUBLISHED. RELEASED FOR PUBLICATION  
 © COPYRIGHT BY TYCO ELECTRONICS CORPORATION. ALL RIGHTS RESERVED.

LOC	DIST	REVISIONS			
P	LTR	DESCRIPTION	DATE	DWN	APVD
AD	00	K1 ECO 05 007253	14APR06	BSV	JO



- 12 NO PART NUMBER REQUIRED ON THIS PART.
- 13 CONTACT: 3.81-7.62µm[.000150-.000300] MATTE TIN OVER 1.27µm[.000050]MIN NICKEL
- 14 ROHS 2002/95/EC COMPLIANT

SEE SHEET 2 FOR PART NUMBERS  
-51 THRU -90



RECOMMENDED PC BOARD LAYOUT  
0.20[.008] THICK STENCIL

- 1 HOUSING: FLAME RETARDANT, GLASS FILLED, POLYESTER, COLOR: BLACK. CONTACT: PHOSPHOR BRONZE VACUUM COVER: STAINLESS STEEL
- 2 CONTACT: 3.81-7.62µm[.000150-.000300] BRIGHT TIN-LEAD OVER 1.27µm[.000050]MIN NICKEL
- 3 THESE DIMENSIONS PERTAIN TO CAVIITY CENTERLINES ONLY NOT TO CONTACT LOCATIONS
- 4 PART NUMBER AND DATE CODE ARE MARKED IN APPROXIMATE LOCATION SHOWN.
- 5 TOLERANCE IS NON-CUMULATIVE.
- 6 2 POSITION DATE CODE IS MARKED OPPOSITE SIDE OF TYCO LOGO.

- 7 POINT-OF-MEASUREMENT DIMENSION FOR PLATING THICKNESS (INSIDE CONTACT BEAM).
- 8 POINT-OF-CONTACT DIMENSION.
- 9 ø5.51[.217] MIN TARGET AREA FOR VACUUM PICK UP. COVER TO BE REMOVED AFTER SOLDERING.
- 10. PACKAGED IN TAPE & REEL PER EIA 481 SPECIFICATION.
- 11 TYCO TRADEMARK AND CSA LOGO ARE MOLDED INTO HOUSING.

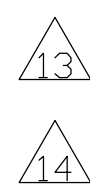
FINISH	EIA TAPE WIDTH	B	A	NO OF POSN	PART NUMBER
2	120mm	99.06[3.900]	101.60[4.000]	80	4-147106-0
		96.52[3.800]	99.06[3.900]	78	3-147106-9
		93.98[3.700]	96.52[3.800]	76	3-147106-8
		91.44[3.600]	93.98[3.700]	74	3-147106-7
		88.90[3.500]	91.44[3.600]	72	3-147106-6
		86.36[3.400]	88.90[3.500]	70	3-147106-5
		83.82[3.300]	86.36[3.400]	68	3-147106-4
		81.28[3.200]	83.82[3.300]	66	3-147106-3
		78.74[3.100]	81.28[3.200]	64	3-147106-2
		76.20[3.000]	78.74[3.100]	62	3-147106-1
		73.66[2.900]	76.20[3.000]	60	3-147106-0
		71.12[2.800]	73.66[2.900]	58	2-147106-9
		68.58[2.700]	71.12[2.800]	56	2-147106-8
		66.04[2.600]	68.58[2.700]	54	2-147106-7
		63.50[2.500]	66.04[2.600]	52	2-147106-6
		60.96[2.400]	63.50[2.500]	50	2-147106-5
		58.42[2.300]	60.96[2.400]	48	2-147106-4
		55.88[2.200]	58.42[2.300]	46	2-147106-3
		53.34[2.100]	55.88[2.200]	44	2-147106-2
		72mm	44mm	50.80[2.000]	53.34[2.100]
48.26[1.900]	50.80[2.000]			40	2-147106-0
45.72[1.800]	48.26[1.900]			38	1-147106-9
43.18[1.700]	45.72[1.800]			36	1-147106-8
40.64[1.600]	43.18[1.700]			34	1-147106-7
38.10[1.500]	40.64[1.600]			32	1-147106-6
35.56[1.400]	38.10[1.500]			30	1-147106-5
33.02[1.300]	35.56[1.400]			28	1-147106-4
30.48[1.200]	33.02[1.300]			26	1-147106-3
27.94[1.100]	30.48[1.200]			24	1-147106-2
25.40[1.000]	27.94[1.100]			22	1-147106-1
22.86[.900]	25.40[1.000]			20	1-147106-0
20.32[.800]	22.86[.900]	18	147106-9		
17.78[.700]	20.32[.800]	16	147106-8		
15.24[.600]	17.78[.700]	14	147106-7		
12.70[.500]	15.24[.600]	12	147106-6		
10.16[.400]	12.70[.500]	10	147106-5		
7.62[.300]	10.16[.400]	8	147106-4		
5.08[.200]	7.62[.300]	6	147106-3		
2.54[.100]	5.08[.200]	4	147106-2		
24mm	-	2.54[.100]	2	147106-1	6


OBSOLETE

THIS DRAWING IS A CONTROLLED DOCUMENT.		DWN M.BINNER 06NOV02	Tyco Electronics Corporation Harrisburg, Pa 17105-3608	
DIMENSIONS: mm [INCHES]		CHK J.OLSON 06NOV02		
TOLERANCES UNLESS OTHERWISE SPECIFIED:		APVD J.OLSON 06NOV02	NAME	
0 PLC ± -		PRODUCT SPEC	108-25022	
1 PLC ± -		APPLICATION SPEC	114-25018	
2 PLC ± 0.13[.005]		WEIGHT -	SIZE A2	CAGE CODE 00779
3 PLC ± -		CUSTOMER DRAWING	DRAWING NO C=147106	RESTRICTED TO -
4 PLC ± -			SCALE 4:1	SHEET 1 OF 2
ANGLES ± -				REV K1
FINISH SEE TABLE				

THIS DRAWING IS UNPUBLISHED. RELEASED FOR PUBLICATION  
 © COPYRIGHT BY TYCO ELECTRONICS CORPORATION. ALL RIGHTS RESERVED.

LOC	DIST	REVISIONS					
AD	00	P	LTR	DESCRIPTION	DATE	DWN	APVD
		-		SEE SHEET 1	-	-	-

	120mm	99.06[3.900]	101.60[4.000]	80	9-147106-0
		96.52[3.800]	99.06[3.900]	78	8-147106-9
		93.98[3.700]	96.52[3.800]	76	8-147106-8
		91.44[3.600]	93.98[3.700]	74	8-147106-7
		88.90[3.500]	91.44[3.600]	72	8-147106-6
		86.36[3.400]	88.90[3.500]	70	8-147106-5
		83.82[3.300]	86.36[3.400]	68	8-147106-4
		81.28[3.200]	83.82[3.300]	66	8-147106-3
		78.74[3.100]	81.28[3.200]	64	8-147106-2
		76.20[3.000]	78.74[3.100]	62	8-147106-1
		73.66[2.900]	76.20[3.000]	60	8-147106-0
		71.12[2.800]	73.66[2.900]	58	7-147106-9
	68.58[2.700]	71.12[2.800]	56	7-147106-8	
	88mm	66.04[2.600]	68.58[2.700]	54	7-147106-7
		63.50[2.500]	66.04[2.600]	52	7-147106-6
		60.96[2.400]	63.50[2.500]	50	7-147106-5
		58.42[2.300]	60.96[2.400]	48	7-147106-4
		55.88[2.200]	58.42[2.300]	46	7-147106-3
	72mm	53.34[2.100]	55.88[2.200]	44	7-147106-2
		50.80[2.000]	53.34[2.100]	42	7-147106-1
		48.26[1.900]	50.80[2.000]	40	7-147106-0
		45.72[1.800]	48.26[1.900]	38	6-147106-9
		43.18[1.700]	45.72[1.800]	36	6-147106-8
		40.64[1.600]	43.18[1.700]	34	6-147106-7
		38.10[1.500]	40.64[1.600]	32	6-147106-6
		35.56[1.400]	38.10[1.500]	30	6-147106-5
	44mm	33.02[1.300]	35.56[1.400]	28	6-147106-4
		30.48[1.200]	33.02[1.300]	26	6-147106-3
		27.94[1.100]	30.48[1.200]	24	6-147106-2
		25.40[1.000]	27.94[1.100]	22	6-147106-1
		22.86[.900]	25.40[1.000]	20	6-147106-0
		20.32[.800]	22.86[.900]	18	5-147106-9
		17.78[.700]	20.32[.800]	16	5-147106-8
		15.24[.600]	17.78[.700]	14	5-147106-7
		12.70[.500]	15.24[.600]	12	5-147106-6
		10.16[.400]	12.70[.500]	10	5-147106-5
		7.62[.300]	10.16[.400]	8	5-147106-4
		5.08[.200]	7.62[.300]	6	5-147106-3
	24mm	2.54[.100]	5.08[.200]	4	5-147106-2
		-	2.54[.100]	2	5-147106-1

FINISH	EIA TAPE WIDTH	B	A	NO OF POSN	PART NUMBER
THIS DRAWING IS A CONTROLLED DOCUMENT.		DWN M.BINNER 06NOV02	 Tyco Electronics Corporation Harrisburg, Pa 17105-3608		
DIMENSIONS: mm [INCHES]		CHK J.OLSON 06NOV02	NAME		
TOLERANCES UNLESS OTHERWISE SPECIFIED:		APVD J.OLSON 06NOV02	PRODUCT SPEC		
0 PLC ± - 1 PLC ± - 2 PLC ± 0.13[.005] 3 PLC ± - 4 PLC ± - ANGLES ± - FINISH		APPLICATION SPEC	108-25022 114-25018		
MATERIAL		WEIGHT -	SIZE A2	CAGE CODE 00779	DRAWING NO C=147106
SEE TABLE		CUSTOMER DRAWING	SCALE 4:1	SHEET 2 OF 2	REV K1

147106

A